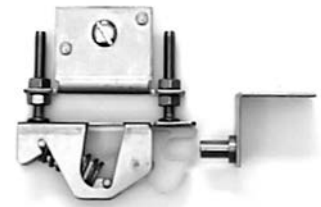
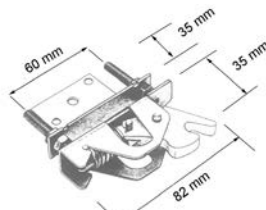




Part #  
55.296

**Drawer Catch, toggle type, heavy duty**

304 stainless steel  
Dimensions catch: 82 x 35 mm  
Bolts M5 x 35 mm; distance center to center:  
60 mm  
mounting plate: 75 x 38 mm; 2 mm thick  
nylon toggle, activated by strike pin.  
strike pin 36 x 32 angle plate; 2 mm thick;  
pin M8 x 13 mm  
Finish: stainless For exterior use

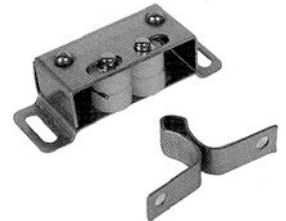
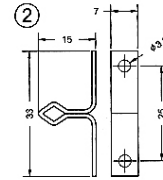
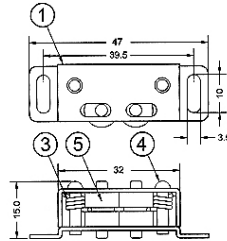


#55.296 304 stainless steel drawer catch with strike pin, heavy duty

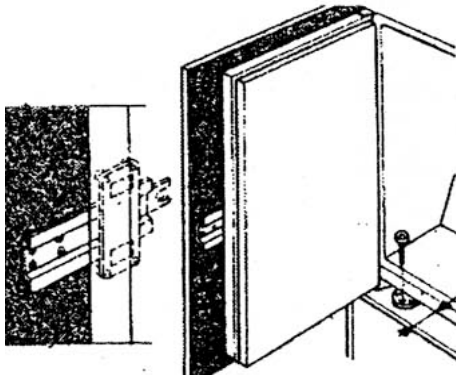
55.298 **Drawer Catch, toggle type, medium duty**  
Same as above, lighter spring

55.297 **Drawer Catch, light duty**

304 stainless steel  
Dimensions catch: 47 x 15 mm  
mounting plate: 25 x 7 mm; 1 mm thick  
nylon rollers Finish: stainless

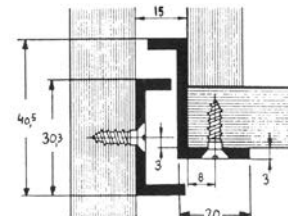


#55.297 304 stainless steel drawer catch with strike, light duty



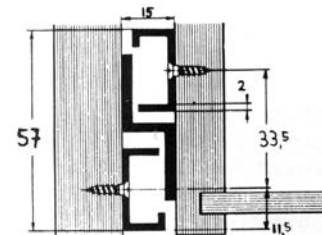
55.2603 Refrigerator double door slide #372603 white plastic

55.593 **Drawer slides, Swiss made,**  
304 stainless steel, stainless steel bearings, noise arm  
only 15 mm / 9/16" thick slide; 75 % extendable, 2 pieces  
sizes not extended: 400, 450, 500, 550, 600, 650, 700, 750 mm  
Up to 100 kg / 220 lbs



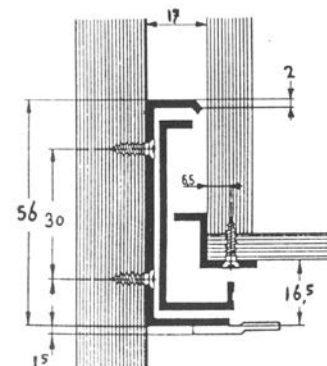
#55.593; 75% extension, 9/16" wide, weight drawer up to 220 lbs,

52.673 **Drawer slides, Swiss made,**  
304 stainless steel, stainless steel bearings, noise arm  
only 15 mm / 9/16" thick slide; full extendable, 3 pieces  
sizes not extended: 400, 450, 500, 550, 600, 650, 700 mm  
up to 35 kg 77 lbs.



#52.673, 9 16" wide, weight drawer up to 75 lbs.

52.793 **Drawer slides, Swiss made, heavy duty**  
304 stainless steel, stainless steel bearings, noise arm  
only 20 mm / 3/4" thick slide; full extendable, 3 pieces  
sizes not extended: 400, 450, 500, 550, 600, 650, 700 mm up  
to 125 kg / 275 lbs.  
20 mm / 3/4" thick slide; full extendable, 3 pieces



#52.793 11/16" wide, bottom mounting, weight drawer up to 275 lbs.



Izerwaren  
Order  
numbers

- 316 Stainless steel slam latch with lift ring
- sea water resistant
- slam action when closing
- strike included
- finish: Lift ring polished stainless steel 316; body and cam: satin finish

**SLAM LATCH WITH LIFT RING**

Polished 316 stainless steel



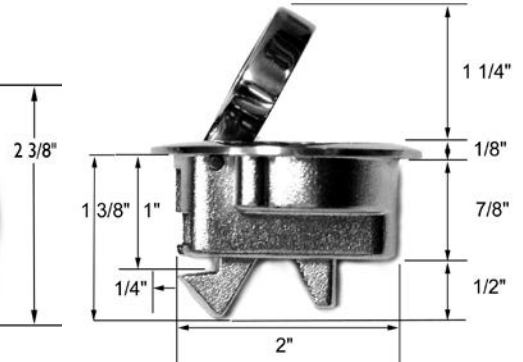
- 43.F01 **Slam latch for hatches**  
Set: latch, mounting ring with screws; strike.  
Diameter: 2 3/8"  
Built in diameter: 2"  
Material thickness: from 1/4" up to 13/16"  
Spring loaded slam action on latch bolt

- 43.F02 **Slam latch for hatch, locking with key**

**Slam latch #43.F01**  
Installation body: Drill hole: 2" Ø



Mounting ring; 2 3/8" diameter



#43.F01 Slam latch

**SLAM LATCH WITH PULL**

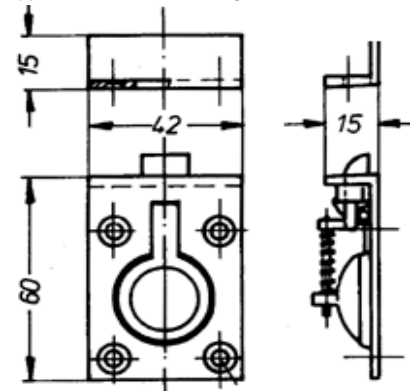


- #43.831S Flush Slam latch, Pull type. Anchor style lift ring; strike plate included. **Pull Out** to release.  
Dimensions: 61 mm long (A) x 58 mm wide (C) x 19 mm deep (D). Door thickness: 19 mm  
Dimensions: 2 7/16" (A) x 1 1/2" (B) x 2 1/4" (C) x 3/4" (D) Door thickness: 3/4"  
316 stainless steel Satin Finish

**SLAM LATCH WITH LIFT RING**



- #46.108 Flush Pull Lift with latch Dimension: 60 x 42 x 15 mm;  
Angle strike 15 x 15 x 42 mm; Door thickness: 5/8" or 15 mm



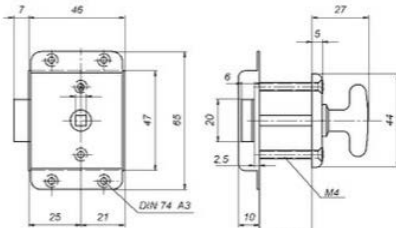
**Pull to release**



Izerwaren  
Order  
numbers

• Brass cabinet latches and locks  
Finish: Chrome plated brass  
**Marine Rim Latches (Slam Latch Action)**

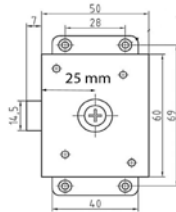
21.309 **Latch #4309;** 25 mm backset,  
for 5 x 5 mm spindle; with strike  
Case 46 x 65 mm  
polished chrome plated brass  
Knob set #4309K separate order  
Strike #4309S



Latch #21.309; 25 mm backset, brass chrome plated 5 x 5 mm spindle with knob + rose



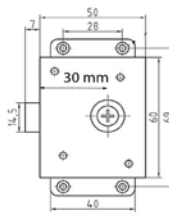
21.709-25 **Latch #3709;** 25 mm backset,  
for 7 x 7 mm spindle; with strike  
Case 50 x 78 mm  
polished chrome plated brass  
Strike #3709S



Latch #21.709-25; 25 mm backset brass chrome plated 7 x 7 mm spindle



21.709-30 **Latch #3709;** 30 mm backset,  
for 7 x 7 mm spindle; with strike  
Case 50 x 78 mm  
polished chrome plated brass  
Strike #3709S



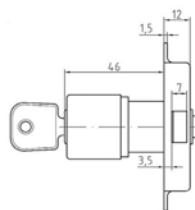
Latch #21.709-30; 30 mm backset, brass chrome plated 7 x 7 mm spindle SET: 21.719-30 #16.087 oval knob with #oval rose



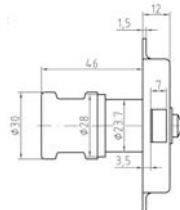
21.711Z **Latch #3711Z;** 30 mm backset,  
With cylinder keyway in knob;  
with strike  
Case 50 x 78 mm  
polished chrome plated brass with  
steel parts

21.711K **Latch #3711K;** 30 mm backset,  
With Knob and with strike  
Case 50 x 78 mm  
polished chrome plated brass  
thickness of door 3/4".

**Marine Rim Lock**



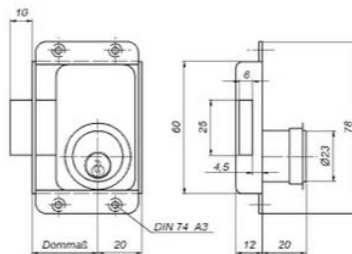
latch #21.711Z; 30 mm backset, brass chrome plated



21.711K



21.73Z **Deadbolt #3273Z;**  
25 mm backset,  
(also avail. 20, 30 mm backset)  
With cylinder keyway, with strike  
Case 45 x 78 mm  
polished chrome plated brass  
thickness of door 3/4".



latch #3273Z; 25 mm backset, brass chrome plated; also with 20, 30 mm backset For door thickness from 5/8" to 1 3/16."



**Push Pin Marine Rim Latches (with Slam Latch Action)**



#21.515 Push Pin Latch;  
15 mm (5/8 inch) backset



#21.503 Push pin Latch  
22.5 mm (3/4 inch) backset



#24.1520 Push Pin latch with pull  
15 mm (5/8 inch) backset



#24.5175 Pull separate

**For more exterior grade marine slam latches with push pin see page 2-1-A**